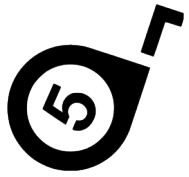


d-flexx

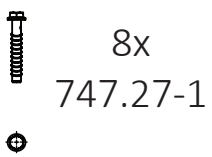
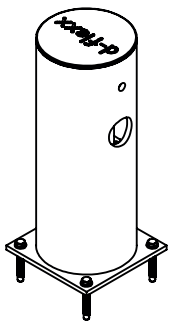


d-flexx  
**November**

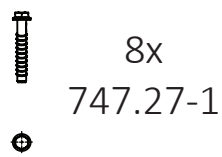
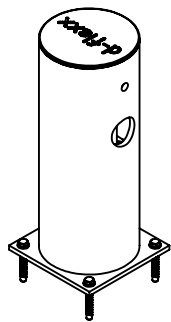
DFNO-W2300  
DFNO-W2600  
DFNO-WI



2x  
DFNO-PL



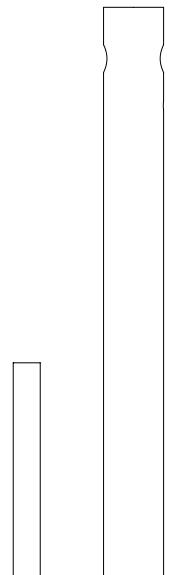
2x  
DFNO-P

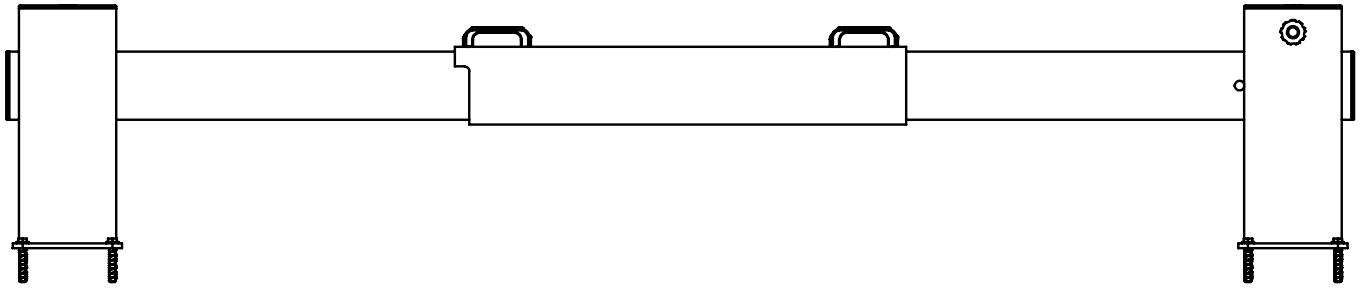


1x  
DFNO-SLI



2x  
DFNO-1S2300/  
DFNO-1S2600  
DFNO-1SI





**1**

585 mm

1. 2. 3.

Ø 12 mm

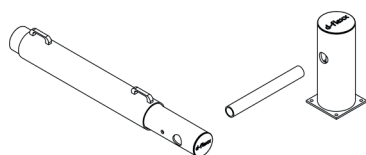
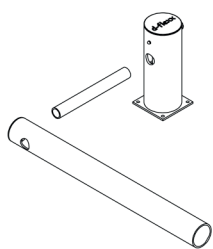
**2**

**3**

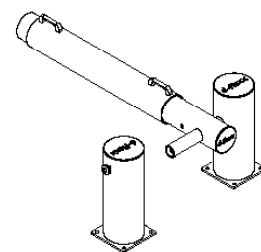
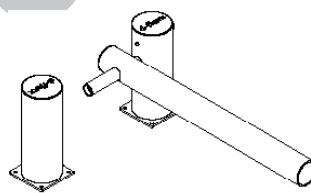
SW17

**4**

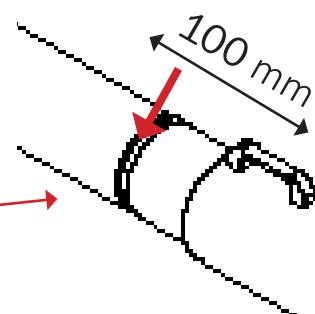
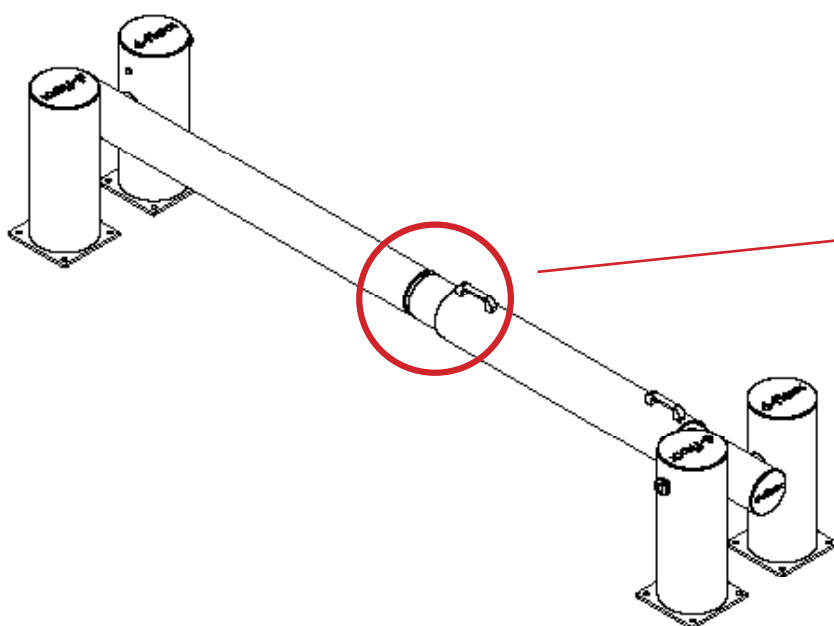
5



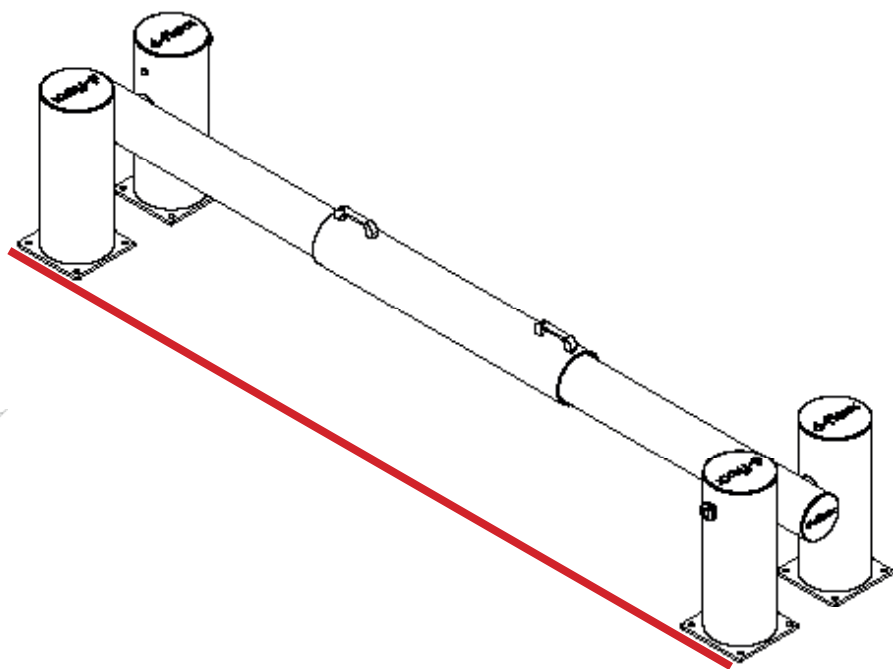
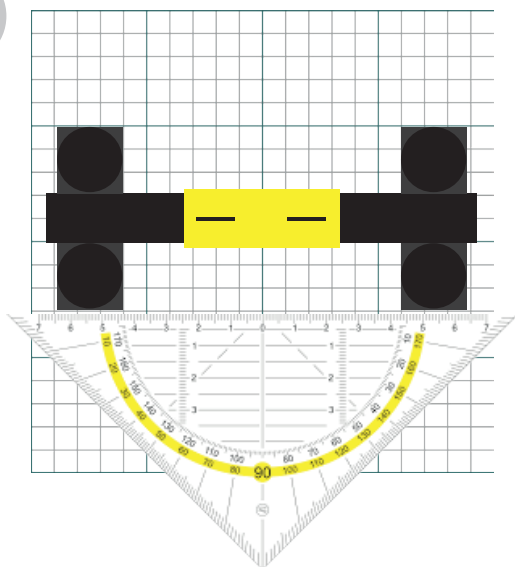
6



7



8



9

